

32mm Slider Bracket for Shower Head Holder



Sliding Shower Head Bracket to Fit 32mm Diameter

250401

Available colours: CHROME SATIN (CS)

Congratulations on the purchase of your shower bracket. This shower bracket has been designed to provide users with an adjustable shower head height and to make it easier for users with limited dexterity.

Warnings:

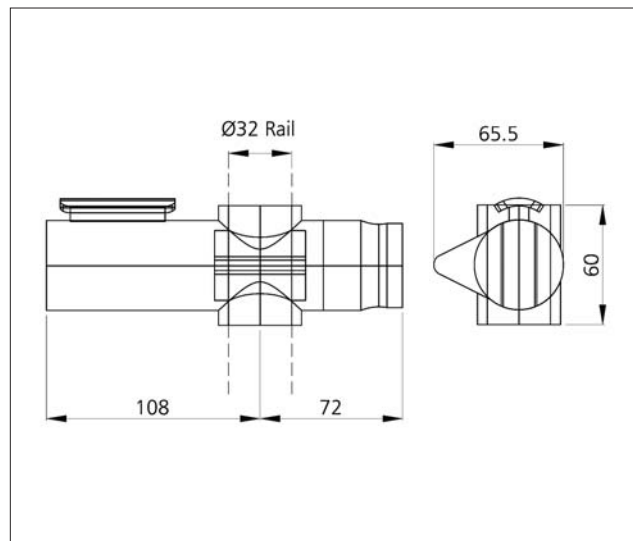
- On receiving delivery of this product, a thorough check must be carried out and any defects immediately reported. The product must be stored in a dry place and not stacked under other equipment.
- Never alter the bracket components as this could affect the strength and integrity of the bracket.
- Improper installation/use can cause accidents and injuries.
- After installation a functional test must be carried out prior to use.
- These instructions should be retained by the user of the product for its whole life.
- This bracket is designed to hold a shower head and should not be used in a way that would apply the users' weight to the bracket.
- Do not use the bracket for any purpose, other than, that for which it was designed.

Installation and Operating Instructions

Installation:

Installation should be carried out by a suitably qualified tradesman.

1. Once the shower slider/grab rail has been installed this bracket can be installed on it.
2. Take the infill part out of the back of the bracket.
3. Push the bracket onto the shower slider/grab rail until it clamps.
4. Put the infill back into the back of the bracket.
5. Push the grey clip through the bracket and the infill to lock the infill onto the back of the bracket.
6. Ensure the grey clip is pushed all the way through and then secure the grey clip on the opposite side with the screw provided
7. Always carry out a functional test after installation and report any issues immediately.
8. Please leave these instructions with the user.



Using this product:

ALWAYS check the bracket is fitted securely prior to use. The bracket clamps the slider/grab rail, this can be released by squeezing the side of the bracket with the large button. To clamp the rail on the bracket again, release the button.

Cleaning and maintenance:

The rail must be checked regularly by qualified personnel to ensure that it is in perfect working order. This bracket can be cleaned using only a very mild detergent. Do not use acidic, alkaline, chlorine based or abrasive cleaning materials.

Disclaimer:

We accept no liability whatsoever for personal injury or damage to property that is or has been caused due to incorrect assembly, installation, or use of this product. Failure to install/use this product in line with these instructions.

Every effort has been made to ensure as much accuracy as possible. However, due to print restrictions exact colour match is not always possible. Featured products may also be changed from time to time, but are correct at time of print.