

Wall mounted padded shower seat with legs



Product Detail:

Non-corrosive aluminium & stainless steel frame

Closed cell polyurethane construction pads for maximum hygiene and comfort

Height adjustable; E-clip for 25mm increments

Foot thread for fine adjustment

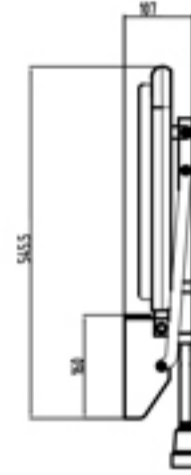
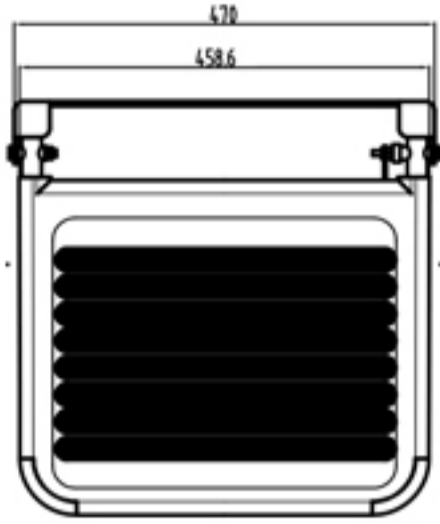
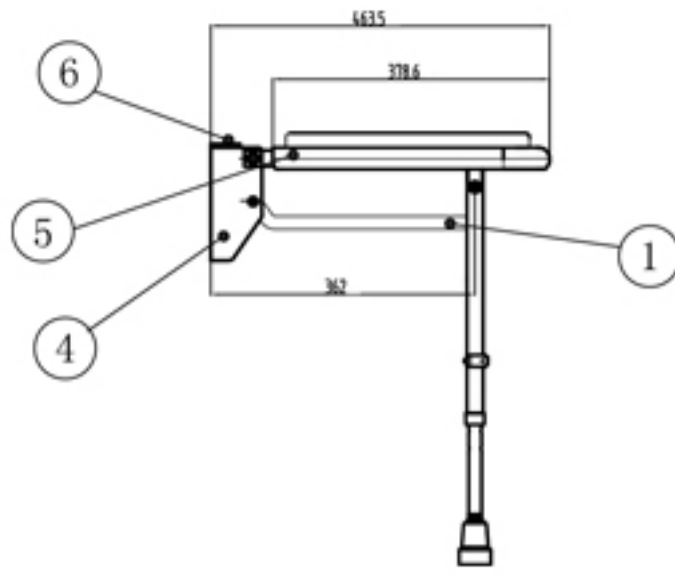
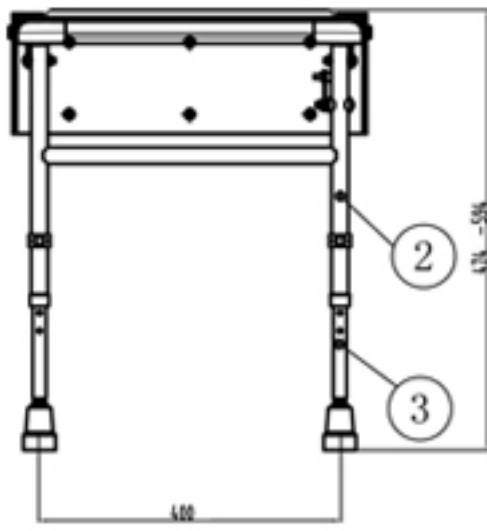
Clip on plastic moulded seat

MAX RATED LOAD: 190 kg

Reference (specify): 130204

Available colours/finishes

GY



Order Code	Size (A)
------------	----------

130204	
--------	--

PLEASE NOTE: Every effort has been made to ensure as much accuracy as possible. However, due to print restrictions exact colour match is not always possible. Featured products may also be changed from time to time, but are correct at time of publication.

* Terms and Conditions apply - www.nymas.co.uk/warranties