

Product Data Sheet: 260203

**Stainless steel toilet tissue dispenser**



**Product Detail:**

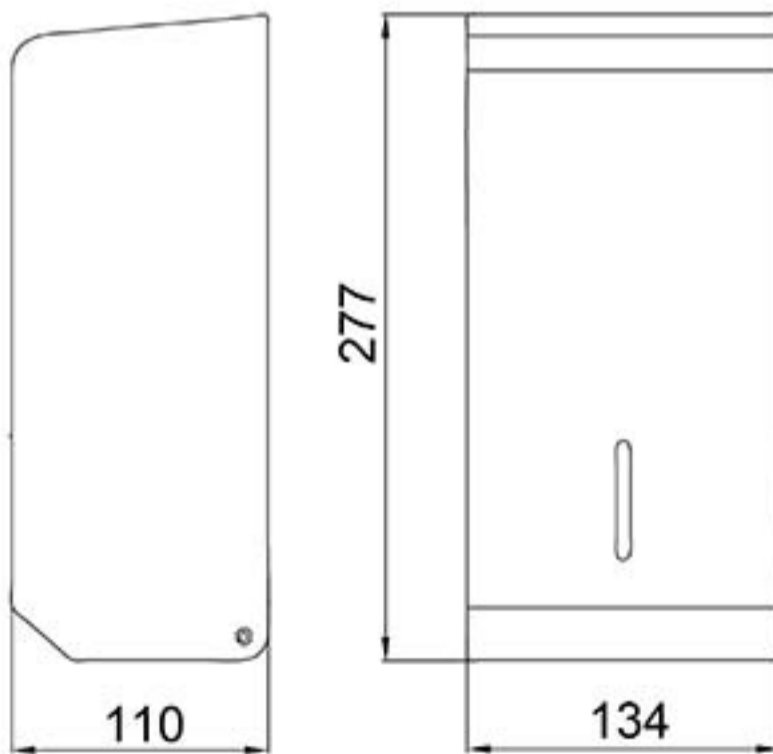
Robust stainless steel construction Locking mechanism Visual indicator to show paper level

Reference (specify): 260203

Available colours/finishes

SP

SS



Order Code	Size (A)
260203	

PLEASE NOTE: Every effort has been made to ensure as much accuracy as possible. However, due to print restrictions exact colour match is not always possible. Featured products may also be changed from time to time, but are correct at time of publication.

\* Terms and Conditions apply - [www.nymas.co.uk/warranties](http://www.nymas.co.uk/warranties)