

Product Data Sheet: PROJ55BASI2TH

Project 550mm two tap hole basin



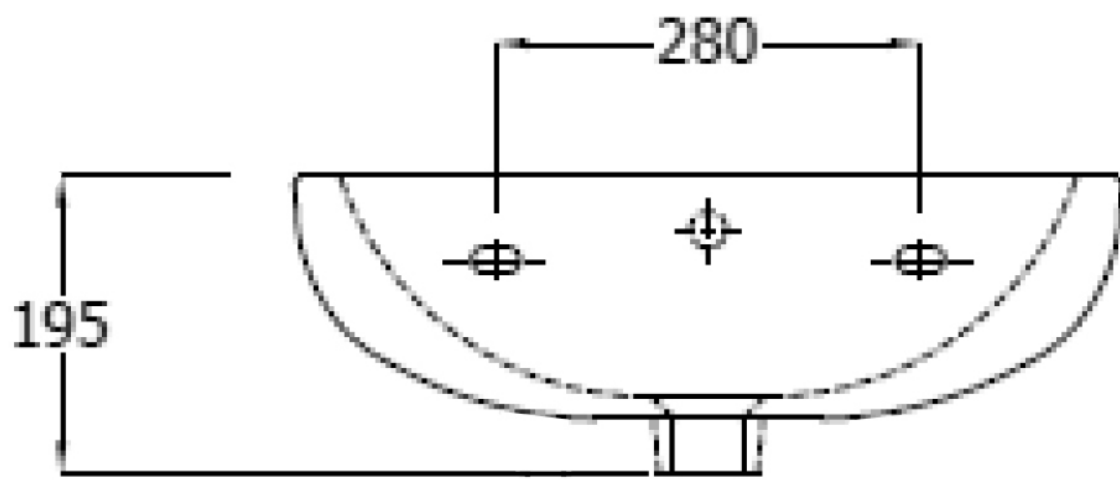
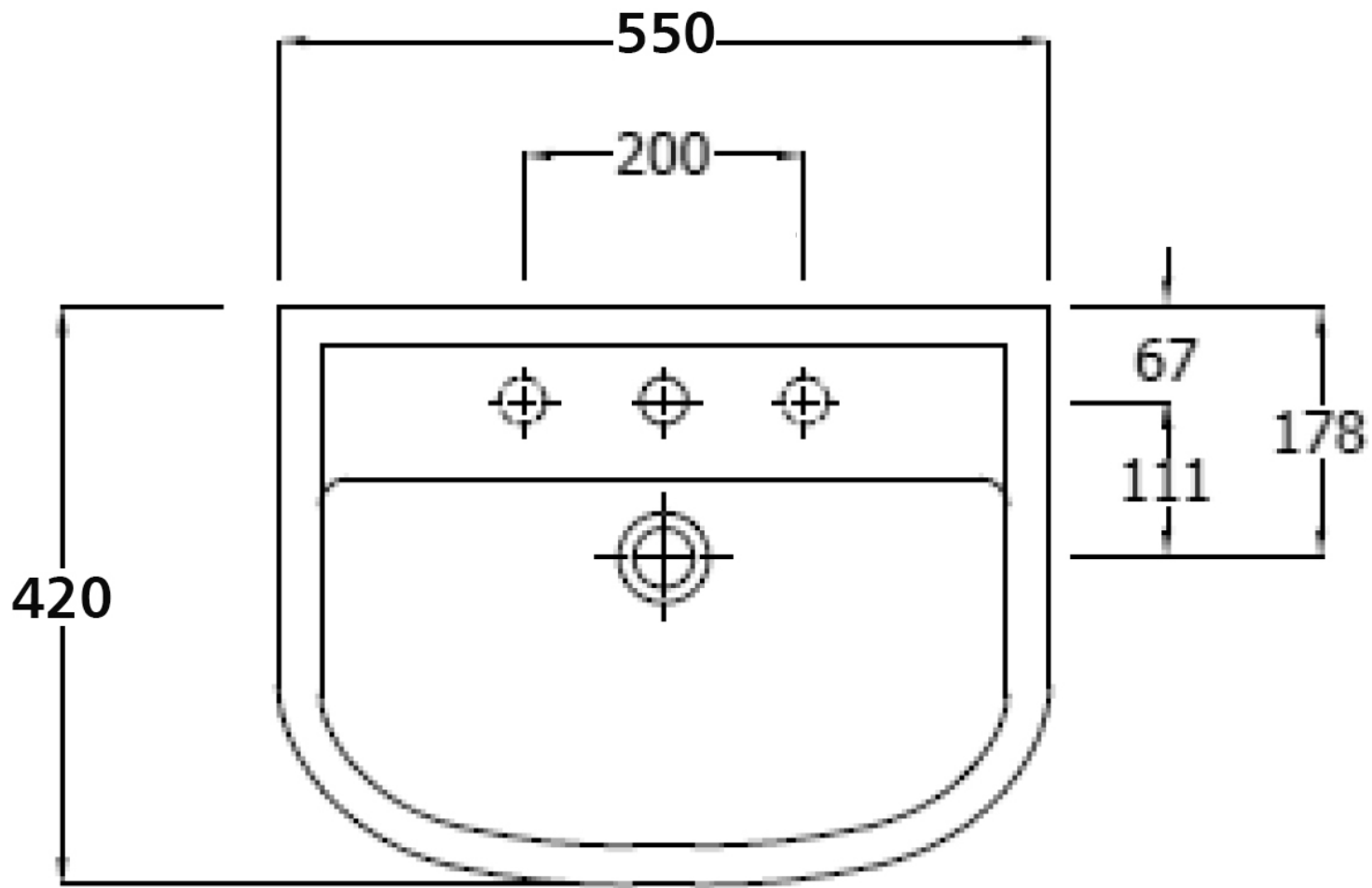
Product Detail:

- 2 tap holes
- 550mm wide
- Doc M compliant

Reference (specify): PROJ55BASI2TH

Available colours/finishes





Order Code	Size (A)
PROJ55BASI2TH	

PLEASE NOTE: Every effort has been made to ensure as much accuracy as possible. However, due to print restrictions exact colour match is not always possible. Featured products may also be changed from time to time, but are correct at time of publication.

* Terms and Conditions apply - www.nymas.co.uk/warranties