

Product Data Sheet: 230013-SP / Left Hand, Fangeless - Polished

NymaCARE Close coupled flangeless Doc M Packs - left hand



Product Detail:

This Doc M pack is designed to provide a toilet facility with additional support for the user. The pack is compliant with the Approved Document M of the Building Regulations 2000, is WRAS and LABC approved.

The pack contents include:

- 4 x 600mm grab rails
- 1 x 450mm grab rail
- 1 x 800mm hinged rail
- 1 x pan & cistern
- 1 x Ring only toilet seat with stainless steel hinge
- 1 x Single tap hole basin & fittings
- 1 x Sequential TMV3 basin mixer
- 1 x Spatula cistern lever

Features include:

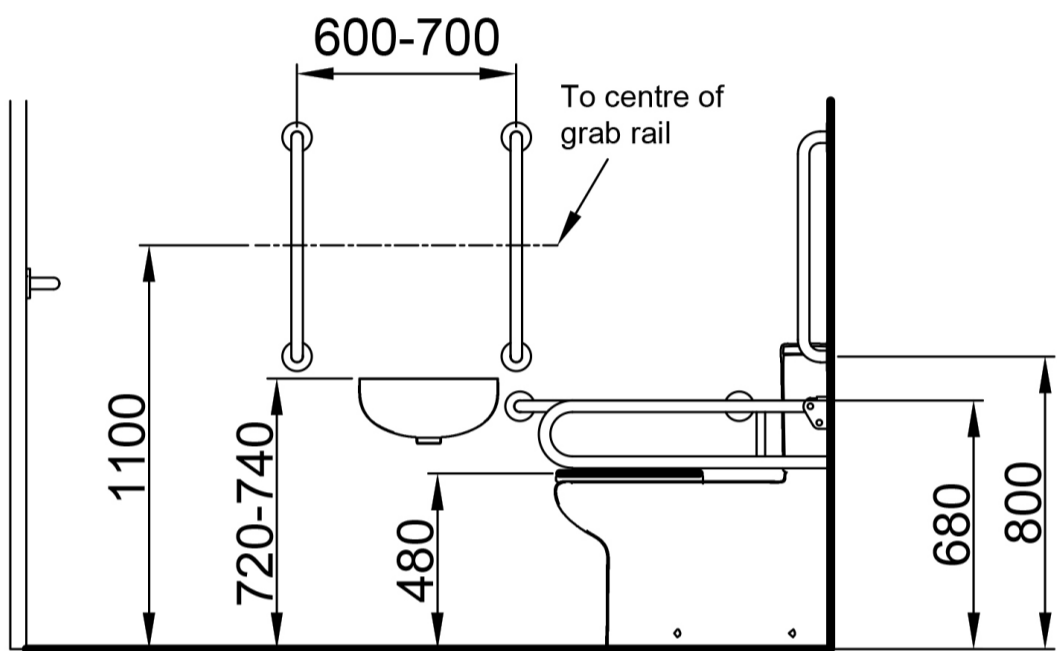
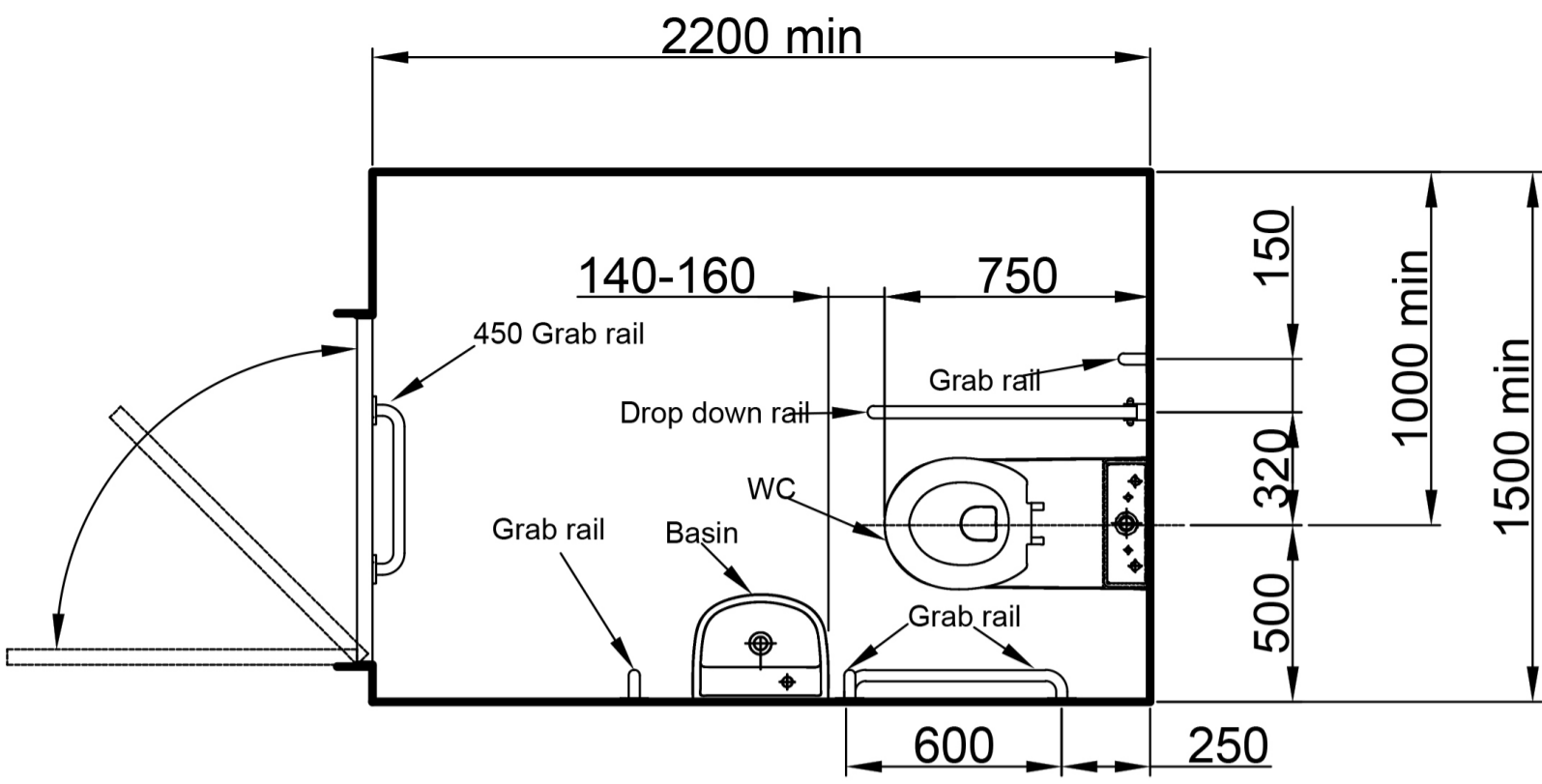
- Stainless steel construction
- Flangeless design eliminates dirt traps
- Doc M compliant
- LABC approved
- WRAS approved
- Toilet seat with adjustable buffers and stainless-steel hinge
- **All components are available to buy as individual products**

Reference (specify): 230013-SP / Left Hand, Fangeless - Polished

Available colours/finishes

SP

SS



Above is for guidance only, refer to relevant building regulations
 (Only Nymas components shown. See data sheet for pack components).

Order Code	Size (A)
230013-SP	Left Hand, Fangeless - Polished
230013-SS	Left Hand, Fangeless - Satin
230017-SP	Right Hand, Flangeless - Polished
230017-SS	Right Hand, Flangeless - Satin

PLEASE NOTE: Every effort has been made to ensure as much accuracy as possible. However, due to print restrictions exact colour match is not always possible. Featured products may also be changed from time to time, but are correct at time of publication.

* Terms and Conditions apply - www.nymas.co.uk/warranties