

Product Data Sheet: MGR-11/WH

Modular system - wall mounting with 135° angle joiner



Product Detail:

Assembled using solvent cement giving permanent bond

High quality ABS plastic

UV stabilised to prevent discolouration

No electrical earthing required

Highly flexible modular solution

Can be assembled on site or in factory

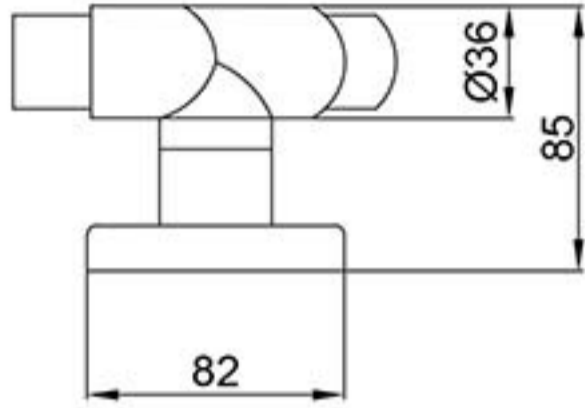
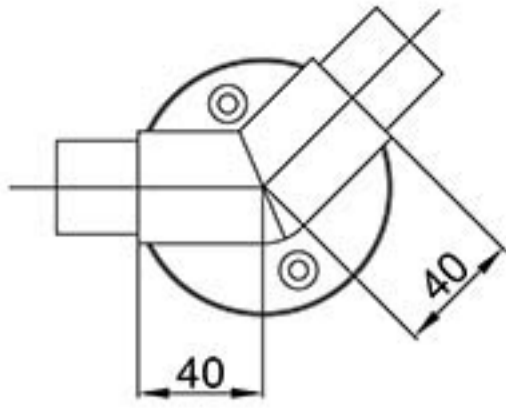
Captive clip on flange cover to conceal fixings

MAX RATED LOAD: 130 kg

Reference (specify): MGR-11/WH

Available colours/finishes

WH



Order Code	Size (A)
MGR-11	WH

PLEASE NOTE: Every effort has been made to ensure as much accuracy as possible. However, due to print restrictions exact colour match is not always possible. Featured products may also be changed from time to time, but are correct at time of publication.

* Terms and Conditions apply - www.nymas.co.uk/warranties