

Contemporary curved grab rail



Product Detail:

Stylish curved shape

High quality polished stainless steel construction

Nylon flange to eliminate the need for earthing

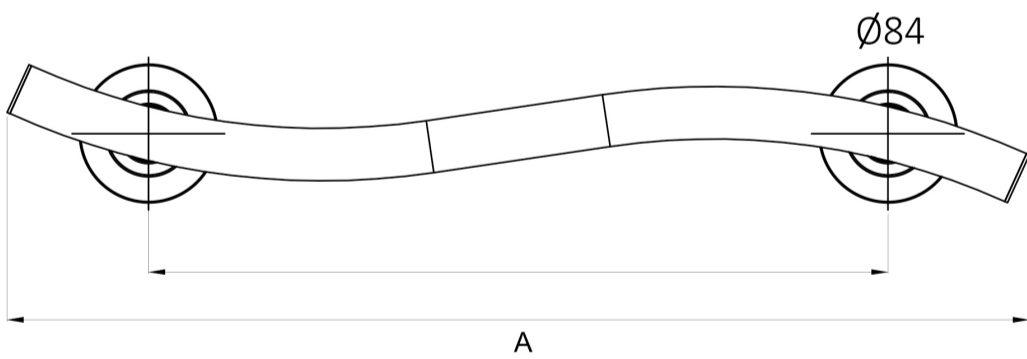
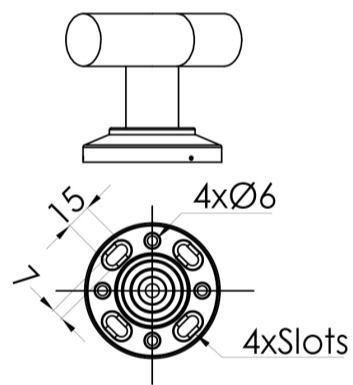
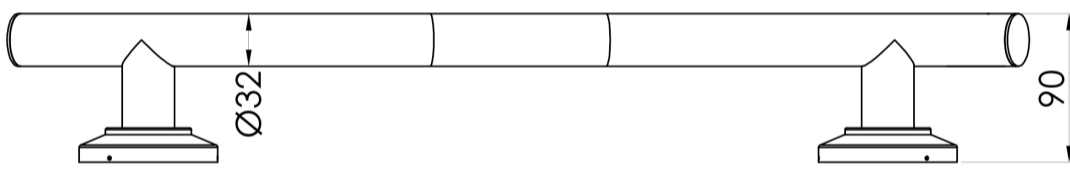
Unique two-part flange cover for ease of fixing

MAX RATED LOAD: 170 kg

Reference (specify): 310235 / 355mm

Available colours/finishes

SP



Order Code	Size (A)
310235	355mm
310248	480mm
310262	620mm

PLEASE NOTE: Every effort has been made to ensure as much accuracy as possible. However, due to print restrictions exact colour match is not always possible. Featured products may also be changed from time to time, but are correct at time of publication.

* Terms and Conditions apply - www.nymas.co.uk/warranties