

Product Data Sheet: DMCCPB

Close coupled Doc M pack - push cistern button (steel grab rails)



Product Detail:

- 5 x 600mm grab rails
- 1 x 800mm lift & lock hinged rail
- 1 x Close coupled WC pan & cistern assembly
- 1 x Ring only toilet seat with stainless steel hinge
- 1 x Two tap hole basin & fittings
- 1 x Sequential basin mixer tap
- 1 x Push cistern button
- 1 x TMV3 in-line thermostatic valve (optional)
- 1 x WRAS approved cistern fitting
- 1 x Tap hole cover

**** Please note - this pack includes a push cistern button and NOT a spatula lever as imaged ****

Complies with Doc M of the Building Regulations

LABC approved

WRAS approved

All components available as individual products

Includes concealed fixings

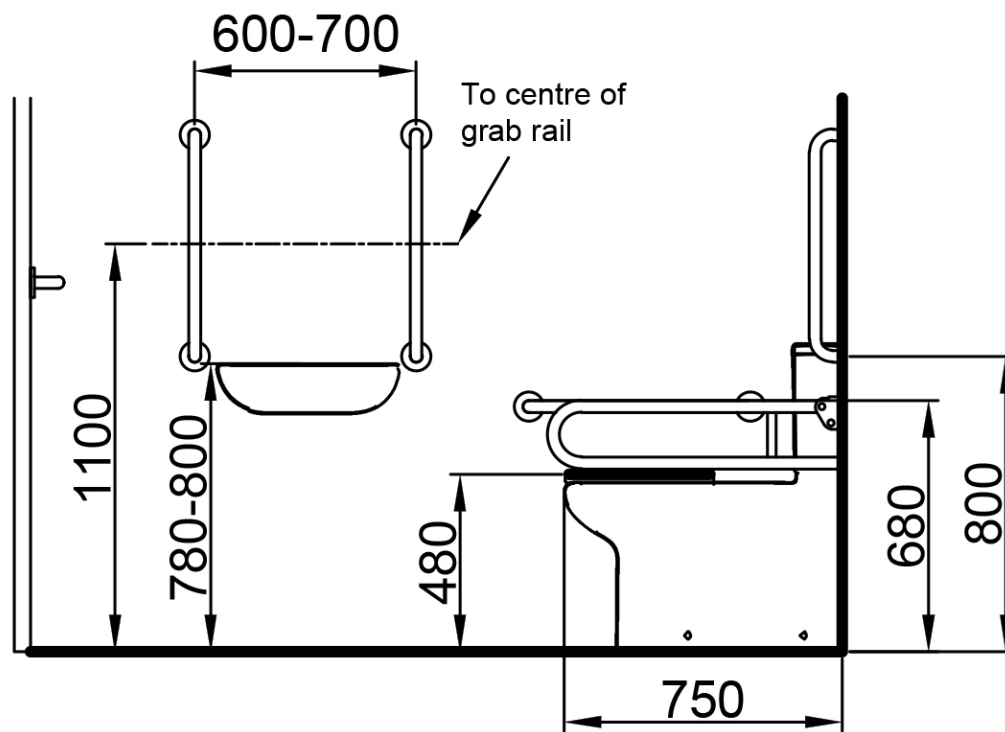
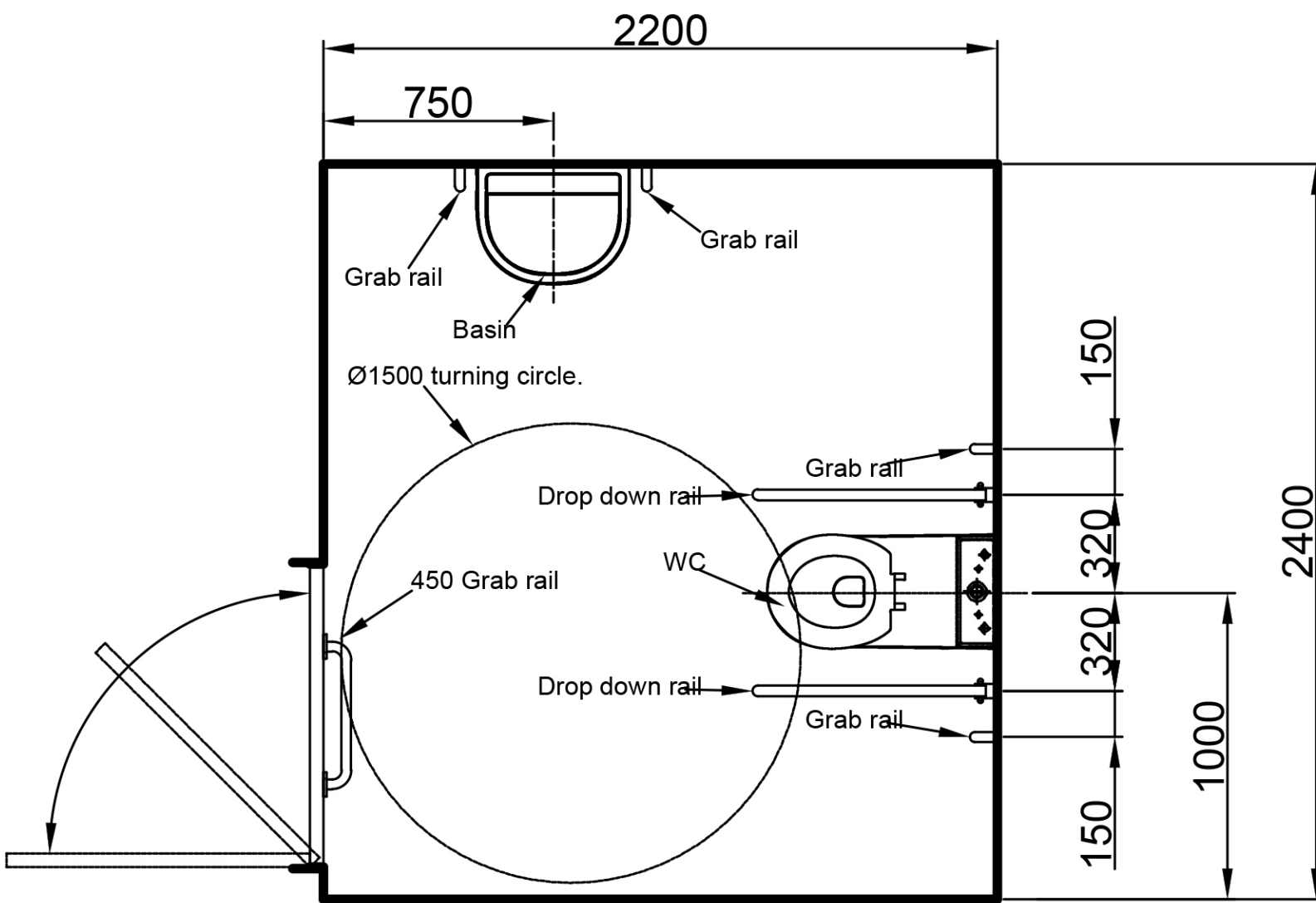
Toilet seat with adjustable buffers and stainless steel pillar hinge

?Universal - left or right handed

Reference (specify): DMCCPB

Available colours/finishes





Above is for guidance only, refer to relevant building regulations
(Only Nymas components shown. See data sheet for pack components).

Order Code	Size (A)
------------	----------

DMCCPB	
--------	--

PLEASE NOTE: Every effort has been made to ensure as much accuracy as possible. However, due to print restrictions exact colour match is not always possible. Featured products may also be changed from time to time, but are correct at time of publication.

* Terms and Conditions apply - www.nymas.co.uk/warranties