

Product Data Sheet: BWBASIN

450mm two tap hole basin, no overflow



Product Detail:

?2 tap holes

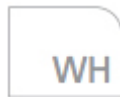
450mm wide

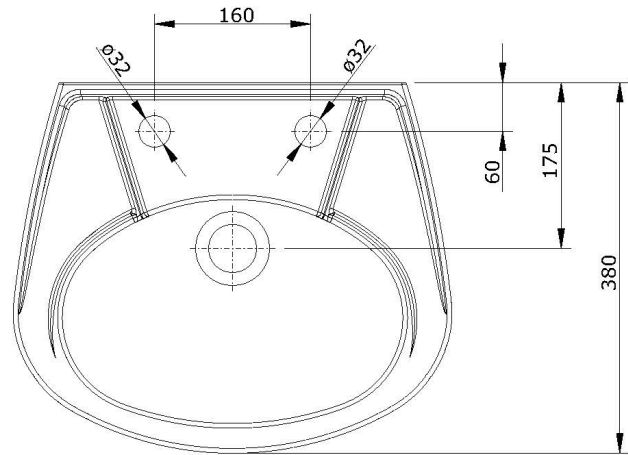
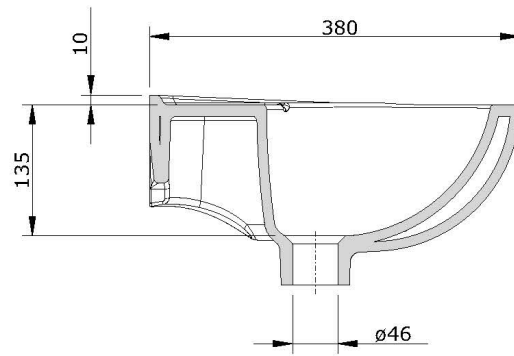
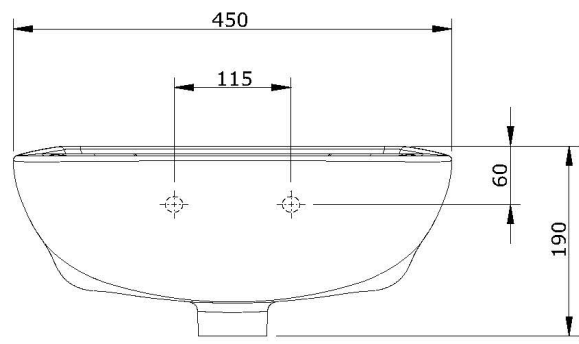
No overflow

Doc M compliant

Reference (specify): BWBASIN

Available colours/finishes





Order Code	Size (A)
BWBASIN	

PLEASE NOTE: Every effort has been made to ensure as much accuracy as possible. However, due to print restrictions exact colour match is not always possible. Featured products may also be changed from time to time, but are correct at time of publication.

* Terms and Conditions apply - www.nymas.co.uk/warranties